

3-Terminal Audio/Video Wall Plate Instruction Manual

CHOOSING A MOUNTING LOCATION

Choose a location for the wall plate where:

- Either wiring exists, or you can easily run wire through the partition(s) /wall(s) to the location.
- The location does not interfere with electrical wiring or framing members behind the wall.

INSTALLATION

You can mount your Audio/Video Wall Connector with the standard electrical box, or mount it with the supplied mounting bracket.

Mounting with the standard electrical box

1. Connect the VCR's, or camcorder's, or video signal cable to the yellow jack's + and – terminals on the back of the wall plate.

Note: When connecting wires to the + and – terminals, be sure not to let any strayed wire of the positive and negative wires touch each other to avoid any possible damage to the audio/video equipment.

2. Insert the audio source **L** channel output + and – wires into the white jack's + and – terminals on the back of the wall plate, then tighten the screws.
3. Insert the audio source **R** channel output + and – wires into the red jack's + and – terminals on the back of the wall plate, then tighten the screws.
4. Insert the supplied two screws in the screw holes on the wall plate and screw holes on the electrical box's mounting bracket.
5. Tighten the screws to mount the wall plate to the electrical box.
6. Connect the stereo TV's video input wire to the yellow jack on the front of the wall plate.
7. Connect the stereo TV's or stereo amplifier/receiver's audio **L** channel input wire to the white jack.
8. Connect the stereo TV's or stereo amplifier/receiver's audio **R** channel input wire to the red jack.

Mounting the wall connector on a partition

1. Mark a $1\frac{3}{4}$ inch \times 4 inch (4.4cm \times 10.2cm) outline on the wall.
2. Drill a $\frac{3}{8}$ inch (1 cm) hole in one corner of the outline.

3-Terminal Audio/Video Wall Plate Instruction Manual

CHOOSING A MOUNTING LOCATION

Choose a location for the wall plate where:

- Either wiring exists, or you can easily run wire through the partition(s) /wall(s) to the location.
- The location does not interfere with electrical wiring or framing members behind the wall.

INSTALLATION

You can mount your Audio/Video Wall Connector with the standard electrical box, or mount it with the supplied mounting bracket.

Mounting with the standard electrical box

1. Connect the VCR's, or camcorder's, or video signal cable to the yellow jack's + and – terminals on the back of the wall plate.

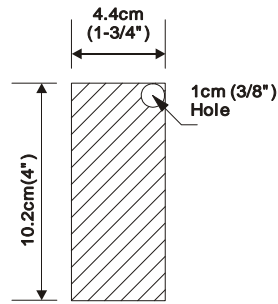
Note: When connecting wires to the + and – terminals, be sure not to let any strayed wire of the positive and negative wires touch each other to avoid any possible damage to the audio/video equipment.

2. Insert the audio source **L** channel output + and – wires into the white jack's + and – terminals on the back of the wall plate, then tighten the screws.
3. Insert the audio source **R** channel output + and – wires into the red jack's + and – terminals on the back of the wall plate, then tighten the screws.
4. Insert the supplied two screws in the screw holes on the wall plate and screw holes on the electrical box's mounting bracket.
5. Tighten the screws to mount the wall plate to the electrical box.
6. Connect the stereo TV's video input wire to the yellow jack on the front of the wall plate.
7. Connect the stereo TV's or stereo amplifier/receiver's audio **L** channel input wire to the white jack.
8. Connect the stereo TV's or stereo amplifier/receiver's audio **R** channel input wire to the red jack.

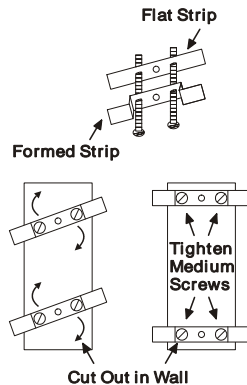
Mounting the wall connector on a partition

1. Mark a $1\frac{3}{4}$ inch \times 4 inch (4.4cm \times 10.2cm) outline on the wall.
2. Drill a $\frac{3}{8}$ inch (1 cm) hole in one corner of the outline.

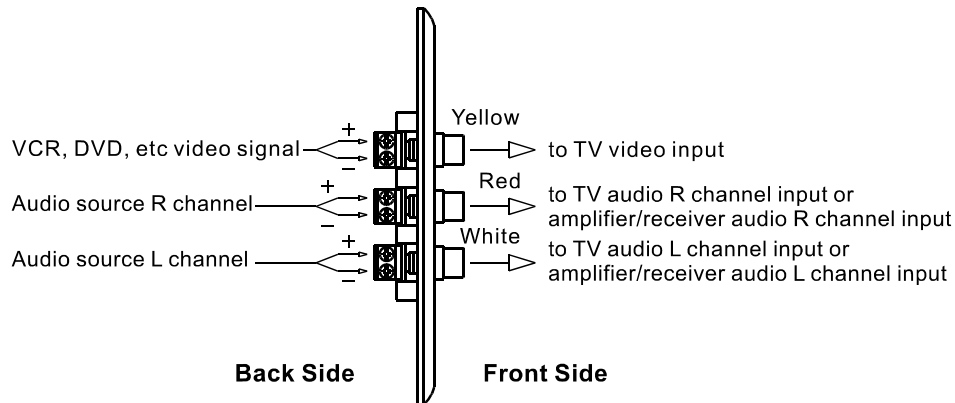
- Use a saber or keyhole saw to cut along the outline, then remove the cut-out portion.
- Run wiring from the source through the partition(s) and stretch it out through the cut opening.
- Insert the VCR's or camcorder's video signal cable in the yellow jack's + and - terminals on the back of the wall plate.



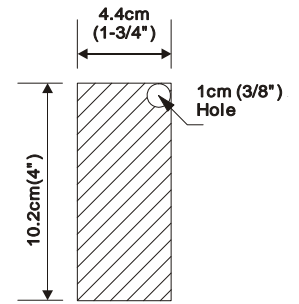
- Insert the audio source L channel output + and - wires into the white jack's + and - terminals on the back of the wall plate, then tighten the screws.
- Insert the audio source R channel output + and - wires into the red jack's + and - terminals on the back of the wall plate, then tighten the screws.
- Assemble the two mounting brackets (formed and flat strips) using the four supplied medium screws. Then place the assembled brackets in the opening and twist them to fit the opening. Tighten the four screws to secure the assembly.
- Insert the two supplied short screws into the screw holes on the wall plate and center holes on the molded brackets, then tighten the screws.



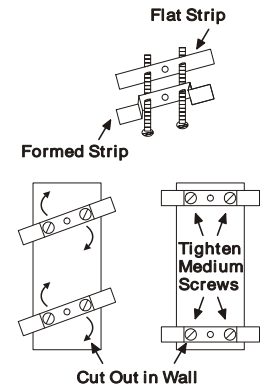
- Connect the stereo TV's video input wire to the yellow jack on the front of the wall plate.
- Connect the stereo TV's or stereo amplifier/receiver's audio L channel input wire to the white jack.
- Connect the stereo TV's or stereo amplifier/receiver's audio R channel input wire to the red jack.



- Use a saber or keyhole saw to cut along the outline, then remove the cut-out portion.
- Run wiring from the source through the partition(s) and stretch it out through the cut opening.
- Insert the VCR's or camcorder's video signal cable in the yellow jack's + and - terminals on the back of the wall plate.



- Insert the audio source L channel output + and - wires into the white jack's + and - terminals on the back of the wall plate, then tighten the screws.
- Insert the audio source R channel output + and - wires into the red jack's + and - terminals on the back of the wall plate, then tighten the screws.
- Assemble the two mounting brackets (formed and flat strips) using the four supplied medium screws. Then place the assembled brackets in the opening and twist them to fit the opening. Tighten the four screws to secure the assembly.
- Insert the two supplied short screws into the screw holes on the wall plate and center holes on the molded brackets, then tighten the screws.



- Connect the stereo TV's video input wire to the yellow jack on the front of the wall plate.
- Connect the stereo TV's or stereo amplifier/receiver's audio L channel input wire to the white jack.
- Connect the stereo TV's or stereo amplifier/receiver's audio R channel input wire to the red jack.

